



Black Mobile TV Cart

Instruction Manual



SKU: STAND-TV04M



Scan the QR code with your mobile device or follow the link for helpful videos and specifications related to this product.

<https://vivo-us.com/products/stand-tv04m>

GET IN TOUCH | Monday-Friday from 7:00am-7:00pm CST



help@vivo-us.com



www.vivo-us.com
Chat live with an agent!



309-278-5303

WARNING!

If you do not understand these directions, or if you have any doubts about the safety of the installation, please call a qualified technician. Check carefully to make sure there are no missing or defective parts. Improper installation may cause damage or serious injury. Do not use this product for any purpose that is not explicitly specified in this manual. Do not exceed weight capacity. We cannot be liable for damage or injury caused by improper mounting, incorrect assembly or inappropriate use.

TIPOVER WARNING

SERIOUS OR FATAL CRUSHING INJURIES CAN OCCUR FROM TIPOVER. TO HELP PREVENT TIPOVER:

- NEVER ALLOW CHILDREN TO CLIMB, STAND, HANG, OR PLAY ON ANY PART OF TV OR TV CART.
- USE TIPOVER RESTRAINT OR ANCHOR STAND TO WALL

USE OF TIPOVER RESTRAINTS MAY ONLY REDUCE, BUT NOT ELIMINATE RISK OF TIPOVER.

PACKAGE CONTENTS



1 (x2)
Long Square
Tube



2 (x2)
Short Square
Tube



3 (x1)
Tube
Connector



4 (x1)
Tube Connector
Cover



5 (x1)
Pole with
Holes



6 (x1)
Pole without
Holes



7 (x1)
Pole
Connector



8 (x2)
Pole Cover



9 (x4)
Wheel



10 (x8)
M6x60



11 (x4)
M6 Socket
Plate



12 (x12)
M6x10



13 (x1)
Shelf
Support
Connecting Plate



14 (x1)
Shelf



15 (x2)
Shelf Support



16 (x4)
M6 Nut



17 (x1)
Square Plate
Connector and
Rubber Pad



18 (x1)
Square
Plate



19 (x4)
M6 Washer



20 (x1)
TV Arm Set



21 (x1)
Tool Kit



22 (x4)
M4x12
M4x30



23 (x4)
M6x20
M6x35



24 (x4)
M8x20
M8x35
M8x45



25 (x4)
M4 Washer



26 (x4)
M6 Washer



27 (x4)
M8 Washer



28 (x4)
M4 Spacer



29 (x8)
M6/8 Spacer
(5mm)

NOTE: SOME HARDWARE INCLUDED MAY NOT BE USED

TOOLS NEEDED



DO NOT EXCEED WEIGHT CAPACITY.

Failure to do so may result in serious injury.



WARNING: CHOKING HAZARD

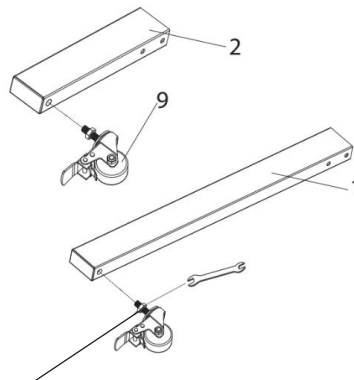
SMALL PARTS - NOT FOR CHILDREN UNDER 3 YEARS. ADULT SUPERVISION IS REQUIRED.

ASSEMBLY STEPS

STEP 1

Attach wheels **(9)** to the long and short square tubing **(1,2)** using the provided wrench **(21)**.

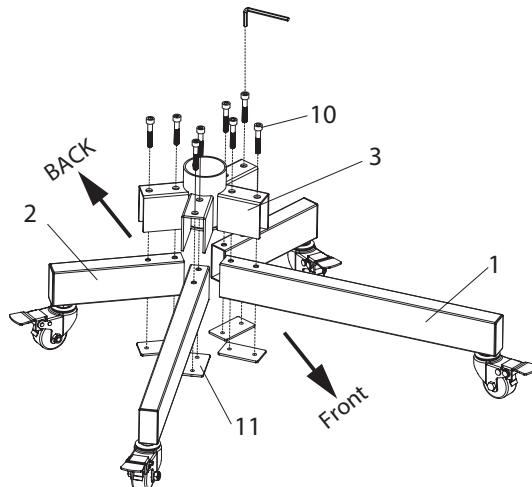
Use Tool kit **(21)**



Turn this nut to adjust the height of the wheel

STEP 2

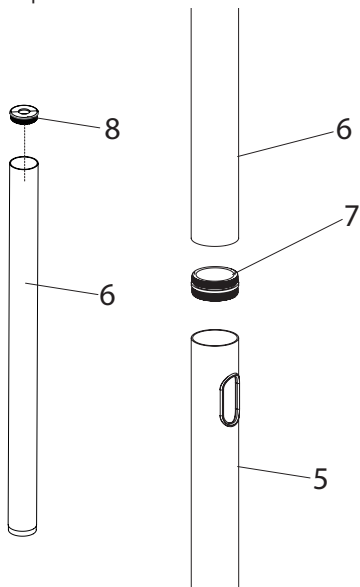
Attach the square tubing **(1,2)** to the tube connector **(3)** using M6x60 Allen head bolt **(10)** and the M6 socket plate **(11)**.



STEP 3

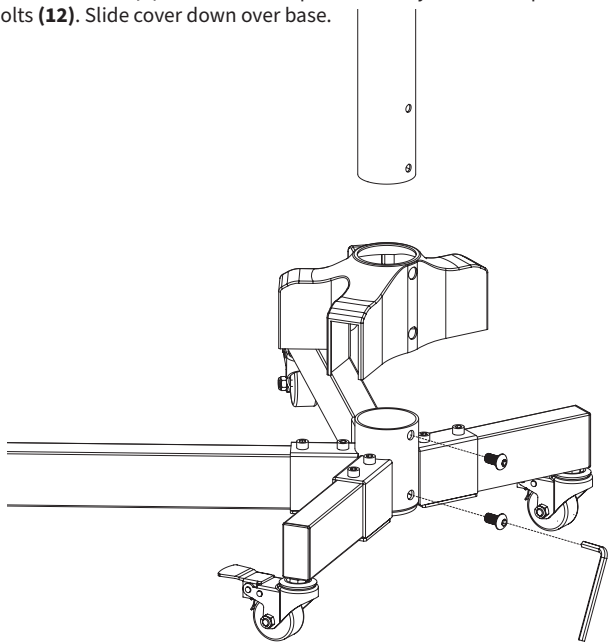
Insert pole cover (8) into top of pole (6). Attach poles (5,6) using pole connector (7). Carefully thread the pole connector in perfectly straight to avoid cross-threading. If you feel resistance, back the connector out and restart. Once you are certain the connector is going in straight, use additional force to tighten.

NOTE: The pole connector threads are very fine and could be sharp. It may be helpful to grip the pole connector with a cloth or towel to produce sufficient force in order to thread into the poles.”



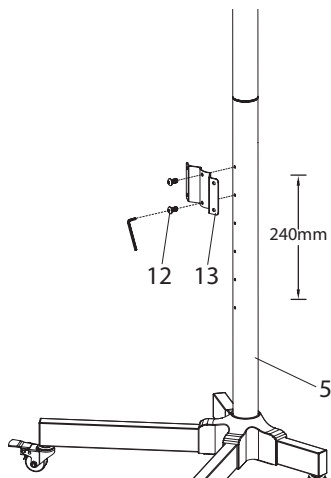
STEP 4

Slide tube connector cover (4) over bottom of pole assembly and attach pole to base using M6x10 allen head bolts (12). Slide cover down over base.



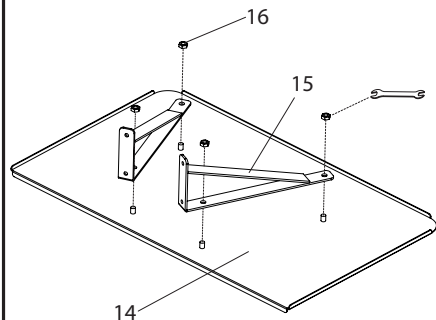
STEP 5

Attach shelf support connecting plate **(13)** to pole **(5)** using M6x10 allen head bolts **(12)**.



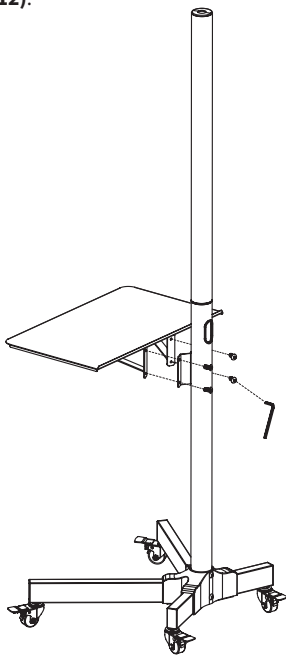
STEP 6

Attach shelf supports **(15)** to shelf **(14)** using M6 nuts **(16)**.



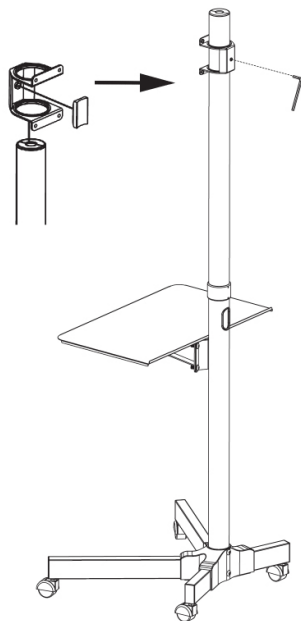
STEP 7

Mount shelf **(14)** onto shelf support connecting plate **(13)** using M6x10 allen head bolts **(12)**.



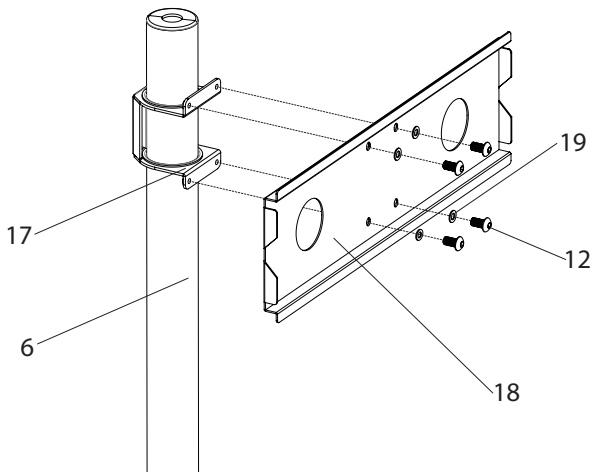
STEP 8

Slide square plate connector and rubber pad **(17)** over top of pole **(6)** and tighten grub screw.



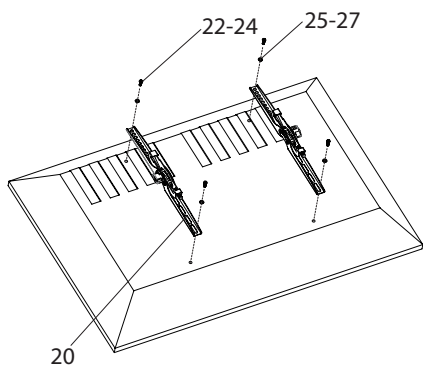
STEP 9

Attach square plate (18) to square plate connector using M6x10 allen head bolts (12) and M6 washers (19).

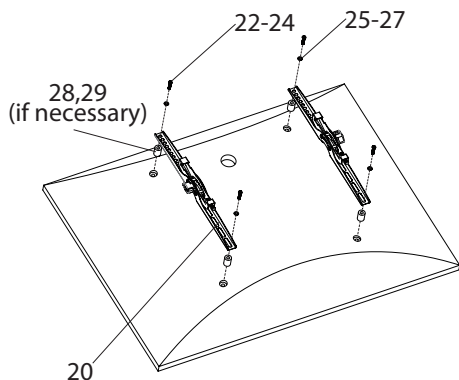


STEP 10

10-1:
Secure the TV arm set (20) to back of television using bolts (22-24) and washers (25-27).

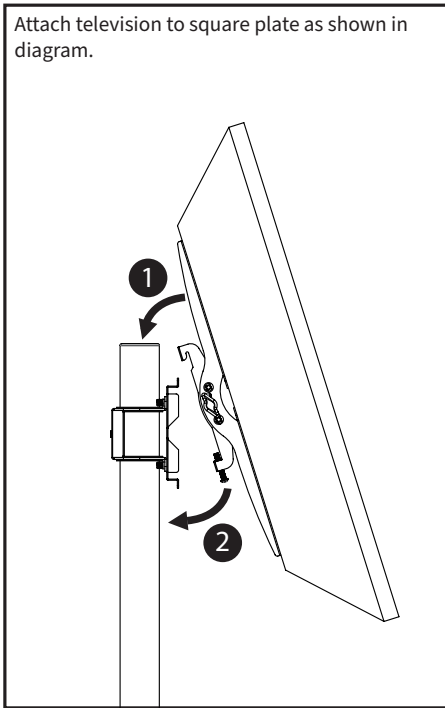


10-2:
If necessary, use spacers (28,29).



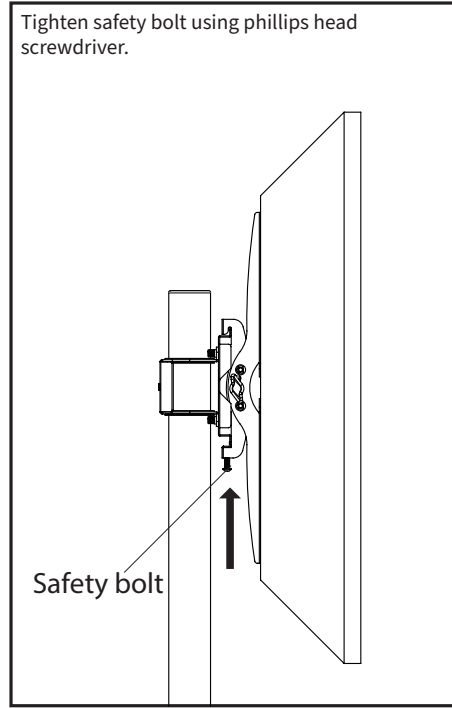
STEP 11

Attach television to square plate as shown in diagram.



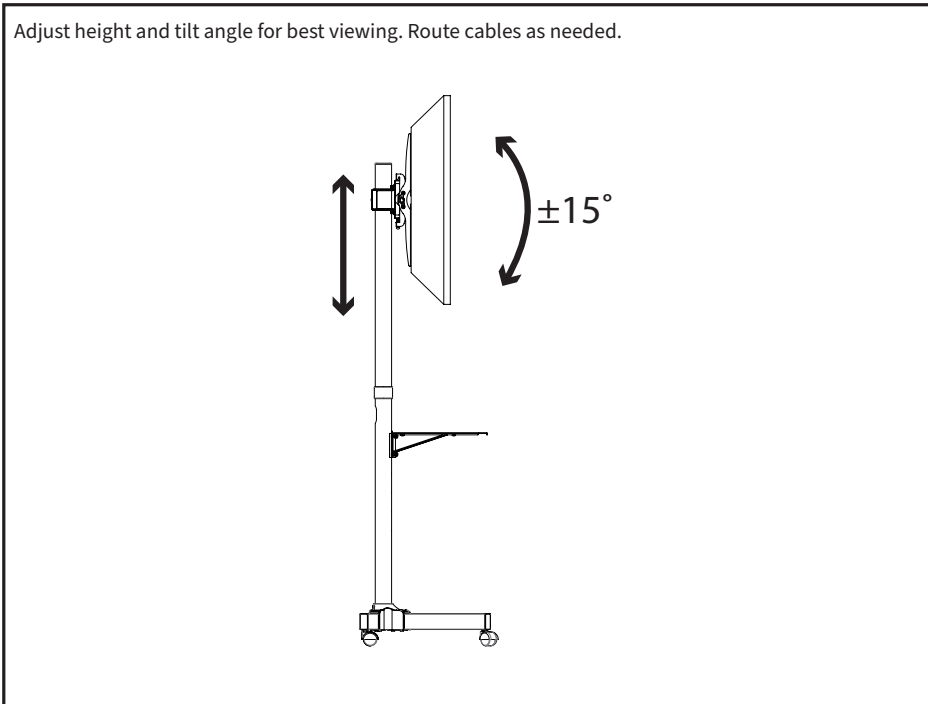
STEP 12

Tighten safety bolt using phillips head screwdriver.



STEP 13

Adjust height and tilt angle for best viewing. Route cables as needed.





Open **Monday - Friday 7:00am - 7:00pm** CST, our dedicated support team can offer immediate assistance with rapid response times. If any parts are received damaged or defective, please contact us. We are happy to replace parts to ensure you have a fully functioning product.



309-278-5303

AVG. RESOLUTION TIME (*within office hrs*): **5M 4S**



www.vivo-us.com
Chat live with an agent!

AVG. RESOLUTION TIME (*within office hrs*): **< 15 M**



help@vivo-us.com

AVG. RESPONSE TIME (*within office hrs*): **1HR 8M**

- 23% within < 15m
- 38% within < 30m
- 61% within < 1hr
- 83% within < 2hr
- 92% within < 3hr